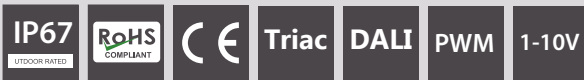
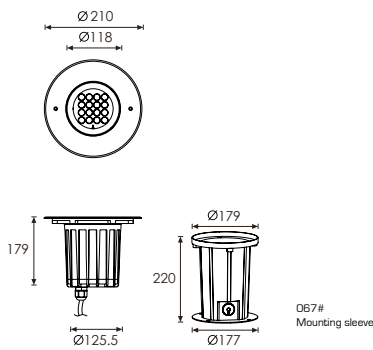


Depth Illuminant LED Inground Light AXIS

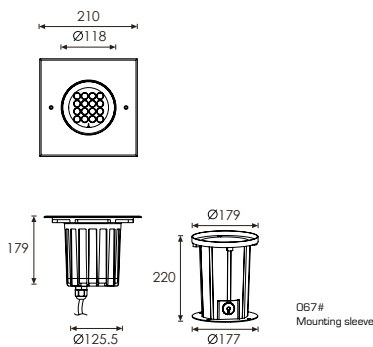
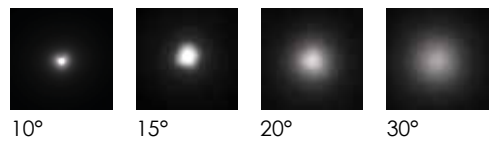
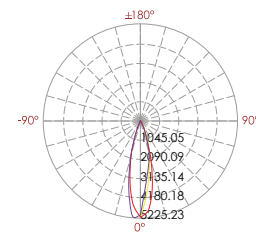


Hard chromeplated Stainless steel SUS 316L
12# Die-casting grey powder coated aluminum.
T=60-80µm Adhesion of ISO class 1/ASTM class 4B



334 160		
LED Power	Colour Temp	Luminous
24V - 20W	2000K	1205 lm
120/240V - 19W	3000K	1155 lm
	6000K	

LIGHT DISTRIBUTION



334 161		
LED Power	Colour Temp	Luminous
24V - 20W	2000K	1205 lm
120/240V - 19W	3000K	1155 lm
	6000K	

LIGHT DISTRIBUTION

